

NewAir I.B.[®] Flex[™]

Inflatable Cushioning System

Versatile,
Inflatable
Cushioning



INCREASE THROUGHPUT, SMALL FOOTPRINT

The NewAir I.B.® Flex™ inflatable cushioning system produces NewAir I.B.® and Bubble Wrap® IB materials at speeds up to 90 linear feet per minute. Faster inflation of packing material makes lines more productive, employees more efficient and gets more products out the door on time. The NewAir I.B.® Flex™ System has a compact footprint (less than 6 sq. ft) that works well in cellular packaging environments.

MAXIMUM INFLATION REDUCES EXCESS MATERIAL UP TO 50%

Patented technology maximizes the inflation in every cell to reduce the amount of material needed to provide superior damage protection.

UNMATCHED RELIABILITY

Delays in production can slow down productivity. With the NewAir I.B.® Flex™, limit the potential for throughput loss. Components are manufactured with high performance materials and coatings for long life system reliability.

SYSTEM ACCESSORIES FOR EVERY CONFIGURATION

The NewAir I.B.® Flex™ is supported by a large array of system accessories, making it flexible enough to be used in all packaging operations. NewAir I.B.® Flex™ is fast enough to keep up with the most demanding packaging operations.



System Stand and Roll Winder

With the optional Roll Winder accessory, the NewAir I.B.® Flex™ system can create a 36" diameter roll of material in under two minutes, for decentralized packaging environments.



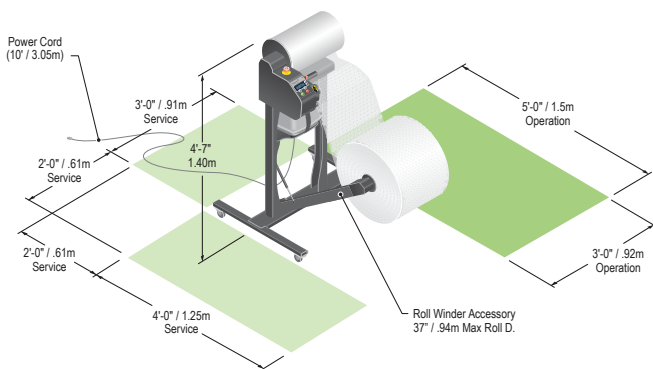
Instasheeter™ Converting System

At the touch of a button, the Instasheeter™ Converting System cuts custom sheets of NewAir I.B.® and Bubble Wrap® IB material that provide excellent cushioning or blocking and bracing.



Jet stream® Delivery System

The Jet Stream® Overhead Delivery System allows one NewAir I.B.® system to feed multiple packaging stations.



System Set-up - Stand with Roll Winder Version

SPECIFICATIONS

Electrical:
100-120 VAC, 60 Hz, 3 Amp,
Single Phase

Weight (without roll):
64 lbs / 29 kg

Overall Size (L x W x H):
2'-5" x 2'-2" x 1'-7" / .74m x .66m x .48m



DOVERCO
Strategic. Packaging.

2111 32nd Avenue, Montreal, Quebec H8T 3J1
Tel: (514) 420-6060 • Fax: (514) 420-6015

250 Trowers Road, Unit 7, Vaughan, Ontario L4L 5Z6
Tel: (289) 256-2141 • Fax: (289) 256-2142

Toll Free: 1-800-363-0697 • www.doverco.ca • sales@doverco.ca