

# 9 4 5 0 SIMPLY EFFICIENT





If improving the efficiency of your production process is one of your priorities, the new 9450 coder was engineered for you. The new Markem-Imaje 9450 is designed to be fully **available**, keep up with **your line speed** and **secure each of your products with the right code!**

## PRINT MORE. EFFICIENCY BUILT IN ■ ■ ■

Relax thanks to its improved design and ease of use

### PROVEN ROBUSTNESS

**Maximize your production performance. 99.9% availability rate<sup>(1)</sup>.** Access to our local team of engineers that will assist and provide you with genuine spares and consumables.

**Smart design. TCO included.** Engineered to lower your TCO, the 9450 offers you up to 20% reduction<sup>(2)</sup> in consumable use and energy consumption (no need for plant air) and optimizes your waste-related expenses.

**Hygienic design. Efficient washdown (IP56 standard, IP66 optional).** Install it anywhere you want! Wash it down with pressured water and industrial detergent and make sure your hygiene standards are met.

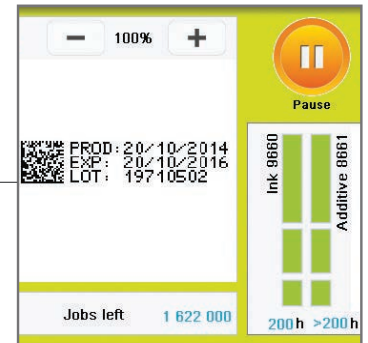
**Clean less, gain time.** New stainless steel monoblock printhead design makes head cleaning easy and trouble-free, when necessary.

**Move it or store it away for weeks.** Its automatic cleaning system will ensure jet stability remains perfect when restarting.

### EASY AND MISTAKE-PROOF OPERATION

**Get it started in just a few minutes and run it 3 shifts non-stop.** Tactile navigation is easy and straightforward.

**Smart consumable system. No set-up required.** With our innovative cartridge design, cartridge-related mistakes are no longer possible. Consumable management is automatic, clean and fully secure. Don't risk printing your product with the wrong ink or plugging in the wrong cartridge.



**Don't stop production. Accurate consumable level display** and efficient consumable replacement while in use will make sure you don't lose precious production time!



(1) Please contact us for more information on our service packs.  
(2) Compared to other brands in the same category.

# INCREASE YOUR PRINTING CAPABILITIES. 20% FASTER<sup>(2)</sup> ■ ■ ■

Wide variety of code and consumable options will give you the traceability you need and support your marketing-related initiatives.



## CHOOSE THE CODE YOU NEED TO CARRY OUT YOUR MARKETING OBJECTIVES

**Promotional coding and serialization functions** to support your marketing initiatives and help you easily implement them from the start. Wide code choice including barcodes, multi-line, logos, language-specific characters (Arabic, Japanese, Chinese, etc.) at the resolution and size you want.



## ACHIEVE YOUR TRACEABILITY AND SUSTAINABILITY GOALS

**Large choice of high adhesion, high contrast or colored inks** to ensure your product is coded right, contrast is guaranteed and code does not rub off. Also available, a line of **environmentally-friendly ink solutions** to support your sustainability policy as well as anti-counterfeiting solutions.



# ENHANCED USER EXPERIENCE TO PREVENT PRODUCT RECALLS AND WASTE ■■■

One step editing. Job secured

## STANDARD COLOR TOUCH SCREEN

**Enhanced and proven user intuitiveness** starts with the tip of your finger on the 7-inch touch screen.



## CONFIGURE THE JOB AND LOCK IT

**Your local language online guiding system** will lead you through the steps to ensure your code is what you want it to be.

## EASY RUNNING COST TRACKING VIA SMART MONITORING SYSTEM

**User interface menus provide access** to previous maintenance and production history including availability rate, additive consumption as well as real-time warnings.

**Operator access and password management** can be configured to your needs offering more control.



## MARK & READ IT. CODE SECURED

**Code integrity is automatically checked** via the new embedded Mark & Read vision system<sup>(3)</sup>. **Full control.** Limited operator time, limited product waste.



# 9450

Designed to support your Overall Equipment Efficiency improvement

**Don't let your printer slow you down.** The 9450 prints 20% faster than any other printer on the market in its category.

**Don't compromise on quality or risk traceability errors.** Our new Mark & Read system will make sure every code is checked, every single time and your product is safely identified.

**Master your costs.** Designed to lower your total cost of ownership, the 9450 helps you benefit from all the latest technical enhancements to optimize consumable consumption as well as maintenance and waste-related expenses.

**Developed along your lines, the 9450 can be easily integrated and managed centrally** through the Markem-Imaje CoLOS software package. Automatic monitoring and central management will make coding activities transparent and help you optimize your overall equipment efficiency.

## THE CODE YOU WANT

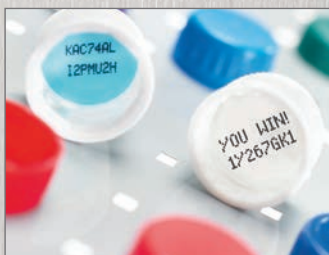
### TO ENSURE SAFETY AND TRACEABILITY

Solutions include anti-counterfeiting inks, permanent inks with high levels of contrast and adhesion available for numerous substrates



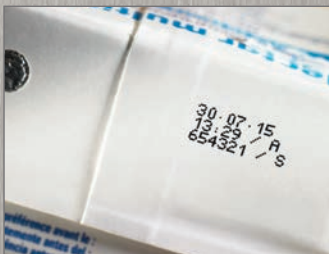
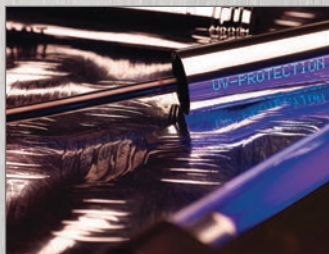
### TO PROMOTE YOUR BRAND AND SUPPORT YOUR CAMPAIGNS

Solutions include embedded promotional coding and serialization functions



### TO PROTECT YOUR BRAND

Solutions include environmentally-friendly inks, thermochromic inks as well as numerous advanced logo options



## PRINT FEATURES

- ▶ Mono-jet printhead
- ▶ G head (printing resolution: 71 dpi)
- ▶ M head (printing resolution: 115 dpi)
- ▶ Up to 5 lines of print
- ▶ Print speed: up to 6.6 m/s
- ▶ Font height from 5 to 32 dots
- ▶ Character height: from 1.2 to 11.2 mm
- ▶ Wide choice of 1D and 2D barcodes: EAN8/EAN13/UPCA/UPCE barcodes, code 39, interleaved 2 of 5, Datamatrix, QR code
- ▶ Wide choice of characters: Latin, Arabic, Cyrillic, Hebrew, Japanese, Chinese, Korean, etc.

## OPERATIONS

- ▶ Message library (up to 1,000 messages)
- ▶ International operator/machine interface with a wide choice of languages
- ▶ WYSIWYG 7-inch wide touch screen: realtime display of remaining print capacity expressed in hours and number of messages; integrated assistance and alert system; simplified message printing and management; creation of user profiles; tracking of consumption and printer availability
- ▶ USB and SD ports
- ▶ Jet Speed Control guarantees marking quality
- ▶ Automatic selection of fonts, depending on print speed and printhead/object distance
- ▶ Broad range of inks: multi-use, high performance; alcohol-based, ketone-free and MEK-free inks
- ▶ Sealed 0.8-liter cartridges with foolproofing system
- ▶ Quick connect/disconnect of accessories (photocell, alarm and encoder)
- ▶ Parent/child connectivity
- ▶ Ethernet connectivity
- ▶ Specific date management (rounding date function)

## OTHER CHARACTERISTICS

- ▶ Weight: 25 kg
- ▶ Table-top or vertical mounting
- ▶ Ultra-flexible 3-meter umbilical cable
- ▶ Stainless steel cabinet and printhead case
- ▶ Dust/humidity protection rating: IP56 not requiring plant air
- ▶ Operating temperature range: 0 to 40°C depending on ink used
- ▶ Humidity: 10 to 90% non-condensing
- ▶ Electrical power supply: 100-120 V or 200-240 V with automatic switching; frequency 50/60 Hz; power 60 VA

## OPTIONS

- ▶ Promotional coding and Mark and Read
- ▶ Ultra-flexible 6-meter umbilical cable
- ▶ IP66 protection (requires plant air)
- ▶ 9450 c for pigmented ink use
- ▶ Ultrarapid mode for high-speed printing
- ▶ Printhead pressurization kit
- ▶ RS-232/422 connectivity, parallel interface, many I/O possibilities to enable remote operation

## ACCESSORIES

- ▶ Printer supports: stands (stainless steel or aluminum), table or wall mounting brackets
- ▶ Printhead supports: stand (stainless steel) and choice of brackets
- ▶ Photocells
- ▶ Encoders
- ▶ Alarm beacons (24 V)

## SOFTWARE

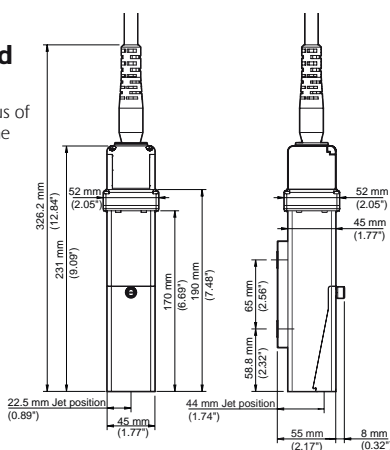
- ▶ Compatible with CoLOS Create Professional and CoLOS Enterprise
- ▶ Logo creation with CoLOS Graphics
- ▶ OEM protocol compatibility: MOBA, Staalkat

### Printhead

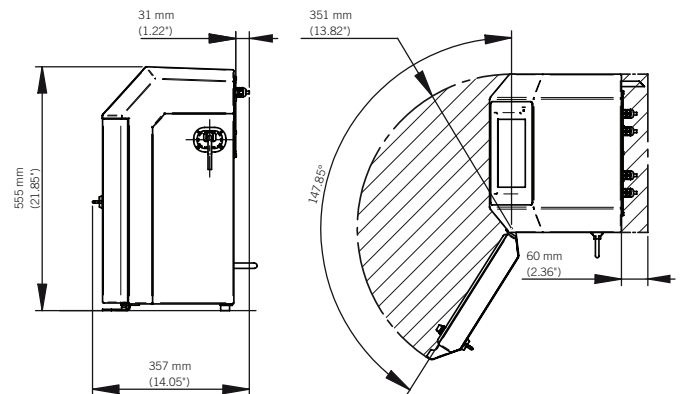
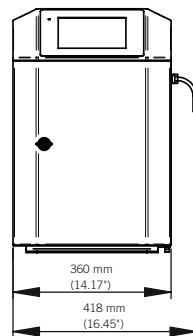
Minimum radius of curvature of the umbilical:

- Static: 100 (3.93 ")

- Dynamic: 150 (5.90 ")



### Cabinet



We reserve the right to amend the design and/or specifications of our products without notice.

**DOVERCO**  
Strategic. Packaging.

2111 32nd Avenue, Montreal, Quebec H8T 3J1  
Tel: (514) 420-6060 • Fax: (514) 420-6015  
250 Trowers Road, Unit 7, Vaughan, Ontario L4L 5Z6  
Tel: (289) 256-2141 • Fax: (289) 256-2142  
Toll Free: 1-800-363-0697 • www.doverco.ca • sales@doverco.ca

  
markem-imaje  
a DOVER company

